

## ⚠ WARNING

Vent adaptors are not designed as load-bearing devices, and must not be used to support exhaust vent piping. All vent pipes must be properly connected, supported, and the exhaust must be pitched a minimum of ¼" per foot back to the appliance to allow drainage of condensate. Failure to properly support vent piping and follow the information in this statement could result in product damage, severe personal injury, or death.

### **D. TIGHTENING APPLIANCE COLLAR TO EXHAUST VENT AND INTAKE PIPE**

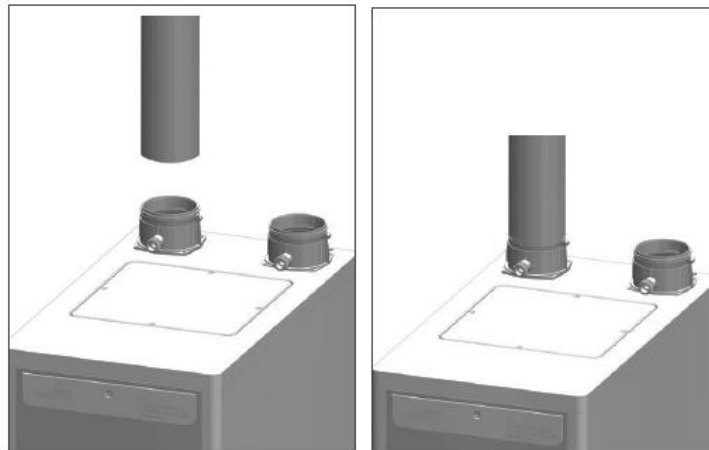
**NOTE:** The included 6" length of 3" CPVC pipe MUST BE INSTALLED in the exhaust vent connection BEFORE venting the appliance.

## ⚠ WARNING

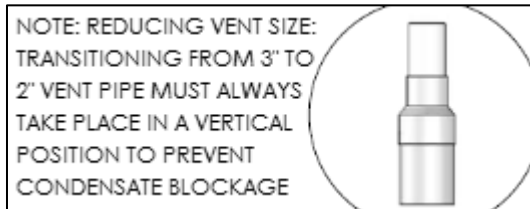
Failure to properly install the included 6" length of 3" CPVC pipe BEFORE venting the appliance could result in product damage, severe personal injury, or death.

This appliance uses 2" or 3" diameter pipe for exhaust vent and intake pipe. In order to use 2" pipe, it is required to reduce pipe size in a vertical length of pipe with a reducing coupling (not included). Follow the steps below to install 2" or 3" pipe into the appliance collar. See Figure 7 for additional details.

1. Clean and dry the appliance connection. DO NOT use primer or cement on the appliance connection.
2. Push the included 6" length of CPVC pipe into the connection until it touches the bottom of the fitting.
3. Tighten the clamps using a screwdriver.
4. Ensure the pipe is secure before continuing installation.
5. For 2" installations, install a reducing coupling in a vertical section of pipe. See Figure 8.



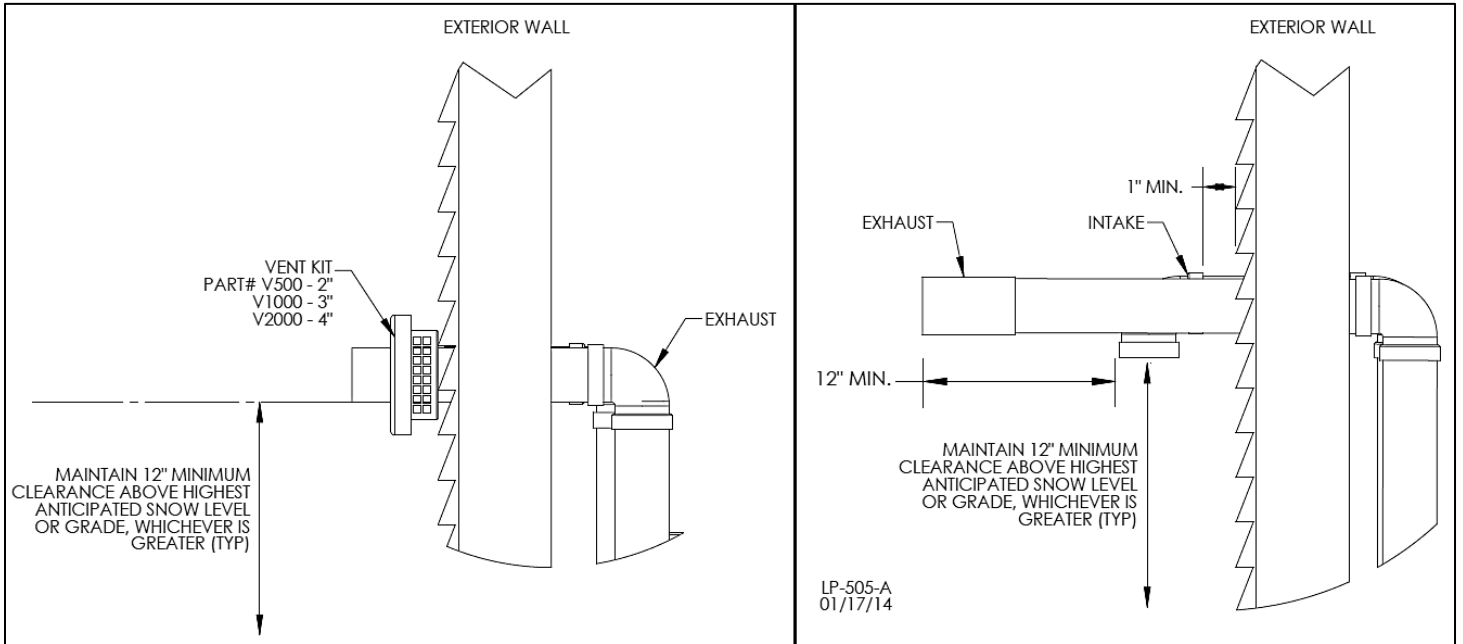
**Figure 7 – Installing the 6" Length of CPVC into the Exhaust Vent Connection**



**Figure 8 – Transitioning from 3" to 2" Vent Pipe**

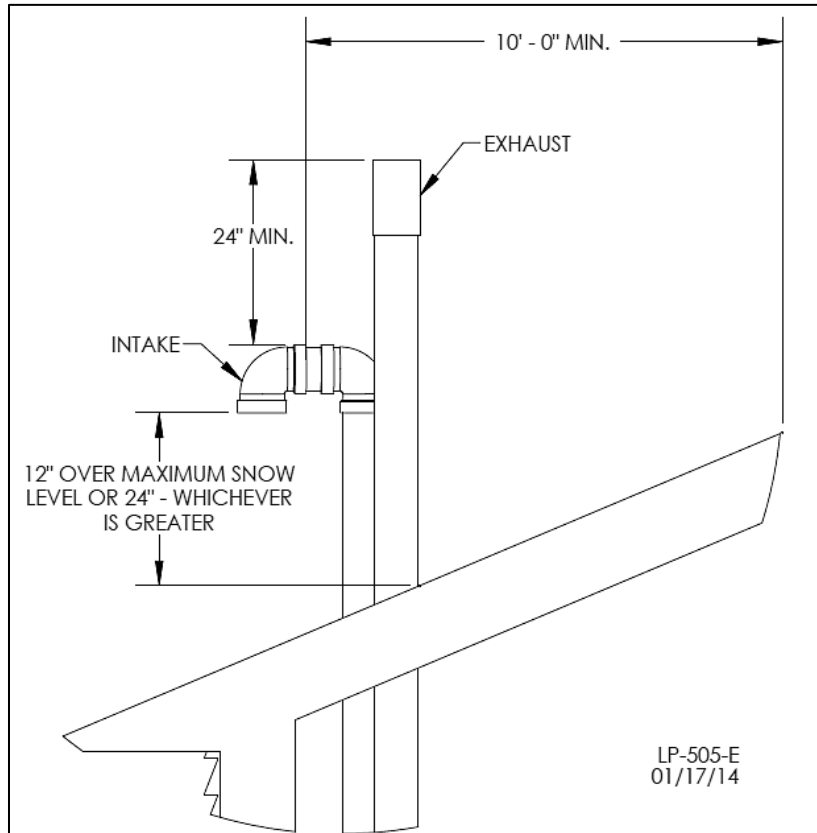
**E. VENT TERMINATION**

**1. Horizontal Vent Terminations**



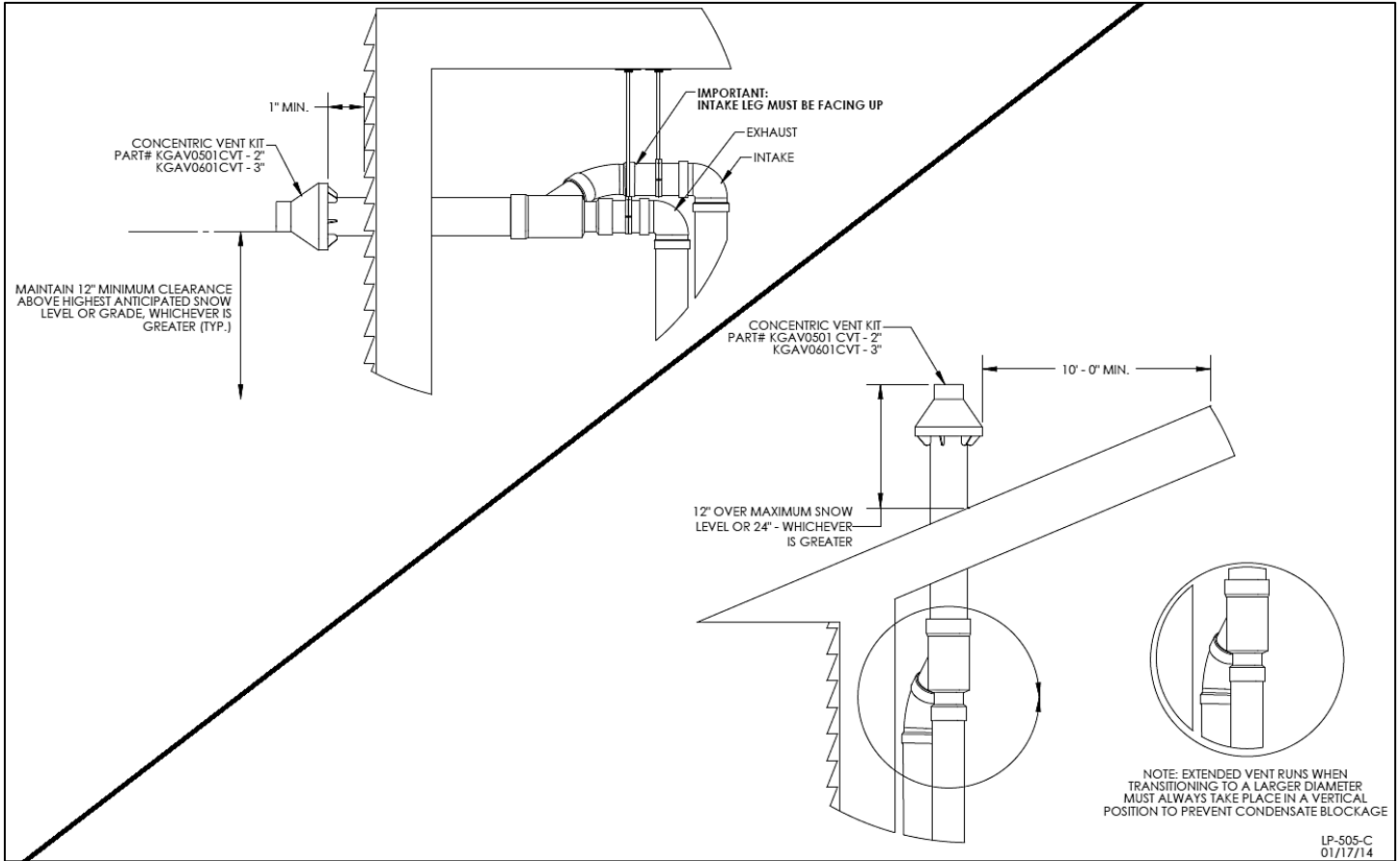
**Figure 9 – Direct Vent, Sidewall Vent Termination**

**2. Vertical Vent Termination**



**Figure 10 – Direct Vent, Vertical Termination**

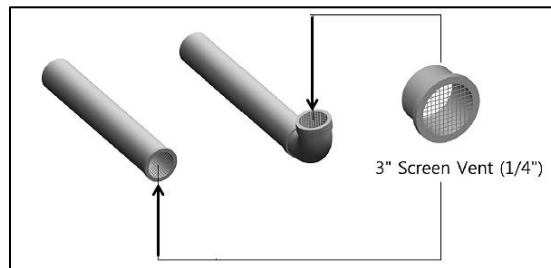
**3. Direct Vent, Optional Horizontal and Vertical Concentric Vent**



**Figure 11 – Direct Vent, Concentric Vent Termination (With Optional Kit)**

**4. Screen Installation**

After connecting the intake air and exhaust vent pipes, it is required to install the included screens into the exhaust vent and intake pipe terminations to prevent damages to the unit due to blockages. Clean the vent terminations and cement the screens into the terminations. See Figure 12 for installation detail.



**Figure 12 – Screen Installation**

**SAFETY INSTRUCTIONS**

Do not connect any other appliance vents to the appliance exhaust vent or intake pipes.

**PART 6 – INSTALL THE CONDENSATE DRAIN**

1. Due to its efficient design, the appliance produces condensate (water) as a normal by-product. This condensate is acidic, with a pH level between 3 and 4. This condensate must be drained away from the appliance and disposed in accordance with all local regulations.

2. Use corrosion-resistant materials approved by the Authority Having Jurisdiction (AHJ) to drain condensate. In the absence of an AHJ, the included flexible plastic hose, or field supplied 1/2" PVC and CPVC drain pipe complying with ASTM D1785, F441, or D2665