



Elite Premier VWH Hot Water Supply Boiler Submittal Sheet

JOB NAME:

LOCATION:

ARCH. / ENGR.:

WHOLESALE:

MECH. CONTRACTOR:

MODEL NUMBER:

BTU/HR INPUT LOW – HIGH FIRE:

TYPE OF GAS:

NOTES:

Heat Exchanger

- All Stainless Steel 160 PSI ASME Stamped Construction
- National Board listed
- Gasketless Heat Exchanger Design
- 150 PSI Relief Valve
- Front service access to combustion chamber and burner
- Inlet and outlet temperature sensor

Combustion System

- Modulating burner with 10 to 1 turndown
- Up to 95.2% AFUE
- Up to 96.5 Thermal Efficiency
- High Grade Inconel Burner Design
- Spark Ignition
- Models Available for Natural or LP Gas
- Dual Flame monitoring (Spark and Flame probe)
- Superior condensate collection system
- Vents in Plastic PVC - CPVC - Stainless Steel – ULC S636 flexible polypropylene vent liner (chimney lining only)
- Vents up to 200 combined equivalent feet

Integrated Control System

- Digital operating control with LCD display and indicators for System Pump - Boiler Pump – DHW Pump - System Fault – System operation
- Field wiring board / Cascade wiring CAT 5 / CAT 3
- Switch Mode Power Supply
- Password Protected
- Multiple 120 volt pump outputs – Boiler Pump – System Pump – DHW Pump
- 24 Volt monitoring
- 0-10 VDC input for Building Management System
- Boiler Output regulation (Adjustment of boiler output down to 50 percent of rated capacity)
- Cascade up to eight (8) boilers

Additional Features

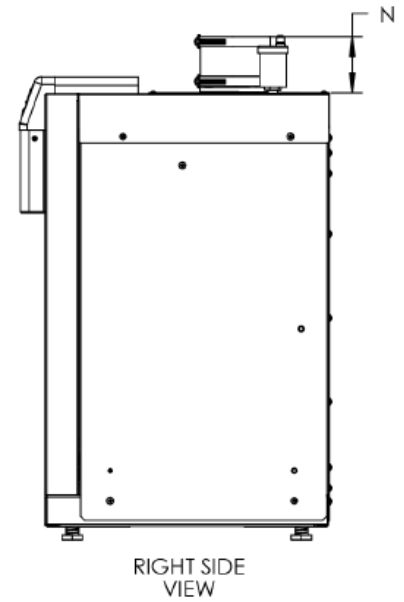
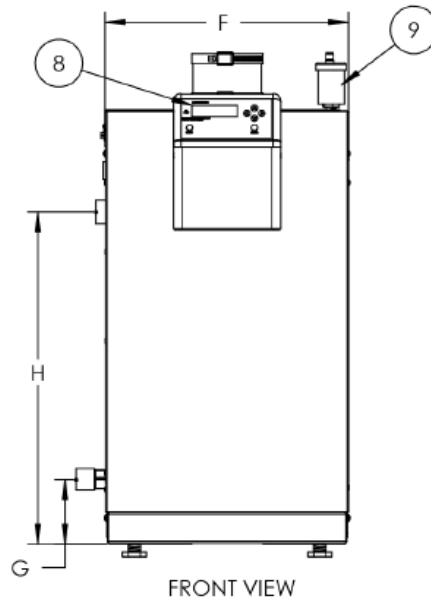
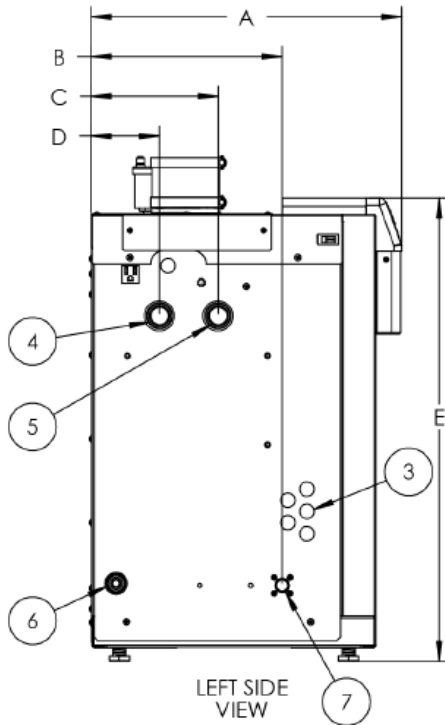
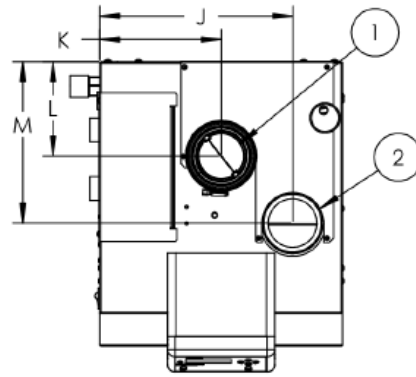
- Combination Outlet Fitting to simplify connections
- Flow Switch
- Five (5) Year Limited Warranty
- Manual Reset High temperature limit
- Adjustable leveling legs
- AC Convenience Receptacle for Condensate Pump
- Dry contact for alarm output
- Low NOx emissions – SCAQMD Certified
- Lead Free Compliant as required by the Safe Drinking Water Act, Section 1417
- Optional Wall Mounting Kit to Save Space
- Pressure / Temperature Gauge

Optional

- System / Pipe Sensor (Part # 7250P-324)
- Indirect / Tank Sensor (7250P-325)
- 3” Polypro Flex Vent Kit (8400P-001)
- 3” PVC Concentric Vent Kit (KGAVT0601CVT)
- 3” Stainless Steel Termination Vent Kit (V1000)
- 4” Stainless Steel Termination Vent Kit (V2000)
- 6” Stainless Steel Termination Vent Kit (V3000)
- Low Water Cut-Off Kit (7450P-904)
- Condensate Neutralizer (7450P-212)
- Alarm System (7350P-602) to monitor any failure
- PC Connection Cable w / Software (7450P-330)
- Wall Mount Kit (Part # 7450P-211)
- MODBUS / BACnet (7350P-636)

- EXHAUST VENT CONNECTION (1)
- COMBUSTION AIR INLET CONNECTION (2)
- ELECTRICAL CONNECTIONS (3)
- SYSTEM RETURN (4)

- (5) SYSTEM SUPPLY WITH INTEGRATED RELIEF VALVE
- (6) CONDENSATE CONNECTION
- (7) GAS LINE CONNECTION
- (8) DISPLAY/CONTROL PANEL
- (9) AIR RELEASE VENT



MODEL*	A	B	C	D	E	F	G	H	J	K	L	M	N	SHIPPING WEIGHT
220	26.50	19.50	15.50	6.00	24.25	14.50	4.50	20.00	11.75	7.38	4.25	8.25	4.00	164
			MODEL	MAX MBH	MIN MBH	SUPPLY/RETURN	EXHAUST/AIR INLET	GAS CONNECTION						
			220	220	22	1"	3"	1"						

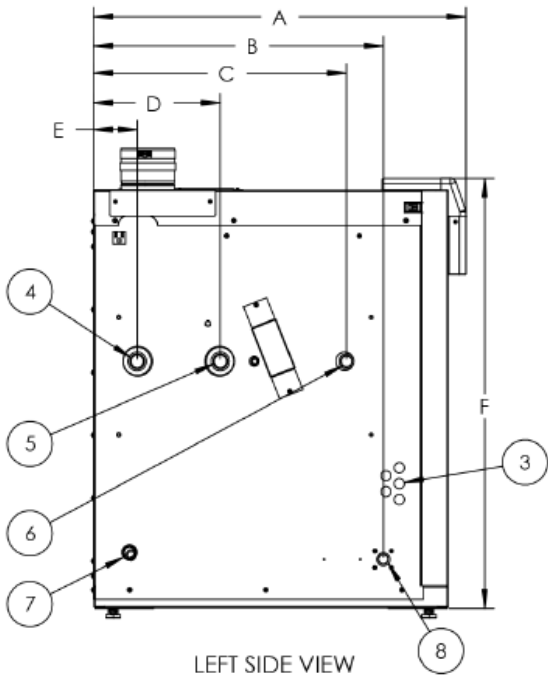
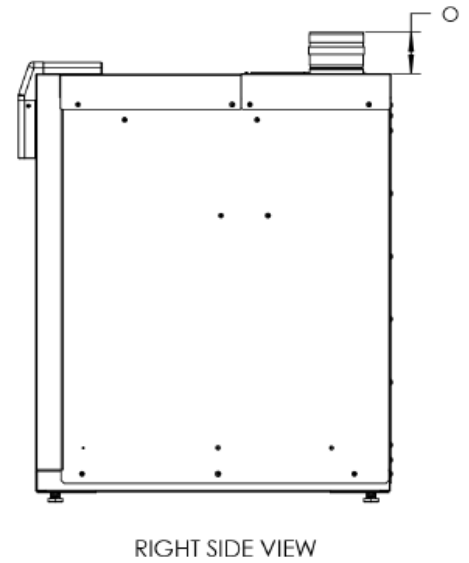
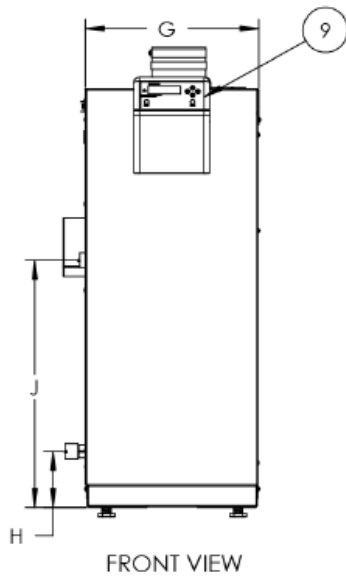
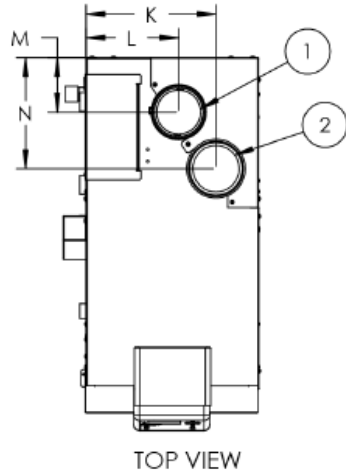
* "N" DENOTES NATURAL GAS "LP" DENOTES PROPANE

ALL DIMENSIONS ARE APPROXIMATE AND ARE SUBJECT TO CHANGE

LP-551-B
11/02/16

- EXHAUST VENT CONNECTION (1)
- COMBUSTION AIR INLET CONNECTION (2)
- ELECTRICAL CONNECTIONS (3)
- SYSTEM RETURN (4)

- (5) SYSTEM SUPPLY
- (6) RELIEF VALVE
- (7) CONDENSATE CONNECTION
- (8) GAS LINE CONNECTION
- (9) DISPLAY/CONTROL PANEL



MODEL*	A	B	C	D	E	F	G	H	J	K	L	M	N	O	SHIPPING WEIGHT
299	24.75	17.50	14.50	7.38	3.25	36.50	14.50	4.75	21.00	11.00	7.88	4.63	9.25	3.50	211
301	24.75	17.50	14.50	7.38	3.25	36.50	14.50	4.75	21.00	11.00	7.88	4.63	9.25	3.50	211
399	31.75	24.75	21.50	10.75	3.75	36.50	14.50	4.75	21.00	11.00	7.88	4.63	9.25	3.50	256

MODEL *	MAX MBH	MIN MBH	SUPPLY/RETURN	EXHAUST/AIR INLET	GAS CONNECTION
299	299	29	1-1/4"	4"	1"
301	301	30			
399	399	39	1-1/2"		

LP-551-B
10/17/16

* "N" DENOTES NATURAL GAS "LP" DENOTES PROPANE

ALL DIMENSIONS ARE APPROXIMATE AND ARE SUBJECT TO CHANGE

Model		220	299	301	399
Installation		Indoor, Floor Standing or Wall Mount (with Optional Kit), Fully Condensing			
Minimum / Maximum Input (Btu/Hr)		22,000 / 220,000	30,000 / 299,000	30,000 / 301,000	40,000 / 399,000
Heating Capacity (MBH)		204	277	289	385
Flue System		Category IV, Sealed Combustion Direct Vent, Power Vent			
Minimum Combined Vent Run		16 feet			
Maximum Combined Vent Run		3" (200 feet), 4" (275 feet)	4" (200 feet), 6" (275 feet)		
Approved Exhaust Vent Materials		PVC, CPVC, PP, Stainless Steel			
Shipping Weight (lbs)		164	211	256	
Gas Supply Pressure	NG	3.5" to 14" WC			
	LP				
Manifold Pressure	Min / Max	NG/LP: -0.01" WC			
Power Supply		120V 60 Hz, 6.3A			
General Operating Conditions		Ambient Temperature Range: 33 – 104°F (0.6 – 40°C) Product Approvals and Requirements: ANSI Z21.13 / CSA 4.9			
Ignition System		Direct Electronic Spark Ignition / Flame Rectification			
Burner System		Premixed Fuel Modulation / Stainless Steel Metal Fiber Burner			
Gas Valve System		Air Ratio Valve			
Dimensions (in Inches)	W	14.5			
	H	24.5	36.5	36	
	D	26.5	24.75	31.75	
Boiler Water Content (Gallons)		2.6	3.1	3.7	
Minimum Flow Rate @ 30°F ΔT (GPM)		14.6	20	26	
DHW Setpoint Temperature Range		95 – 180°F			
Water Pressure (PSI)	Heat Exchanger MAWP	160			
	Pressure Relief Valve	125			
Control Panel / Main Controller		LCD Display with LED Indicators / 928 SIT Control			
Connection Sizes	Supply / Return	1" NPTF	1 1/4" NPTF	1 1/2" NPTF	
	Gas Inlet	1" NPTF			
Materials	Cabinet	Powder Coated Galvaneal Steel			
	Heat Exchanger	316L Stainless Steel Water Tube			
Safety Devices		Flame Rectifier Probe, Dual Water Supply Temperature Sensor (210°F), Water Pressure High Limit Switch, Freeze Protection, Condensate Pressure Switch, Condensate Trap with Float, Dual Flue Sensor (210°F), Blocked Vent Pressure Switch, Optional External Low Water Cut-Off			

NOTE: HTP reserves the right to make product changes or updates without notice and will not be held liable for typographical errors in literature.