



HTP • 272 Duchaine Blvd, New Bedford, MA 02745 • www.htproducts.com

## Grid Enabled Electric Water Heaters

<b>Job Name:</b>	<b>Location:</b>
<b>Engineer:</b>	<b>Wholesaler:</b>
<b>Mechanical Contractor:</b>	<b>Notes:</b>
<b>Model Number:</b>	
<b>Electrical Specifications:</b>	

### Electric Water Heater Models

- Available in 80, 100, or 115 gallon capacities
- Standard configuration: 240V, Single Phase, Non-Simultaneous Operation
- Example Model Number: EVG080C2X045H

### Construction

- 316L stainless steel tank tolerates high temperatures and offers superior corrosion resistance
- Super-insulated for minimal heat loss and energy efficiency
- Outer jacket features attractive stainless steel appearance
- Water connections on the top of the water heater ease installation
- Top hot water outlet draws the hottest water from the tank
- Top cold water inlet with dip tube directs cold water to the lower heating element, minimizing the mixing of cold and heated water and providing long draws of hot water
- 3/4" inlet and outlet nipples constructed of durable brass
- Electric Junction Box located on top of water heater for easy wiring and installation

### Long Life Electric Elements / Thermostat High Limit Control

- Titanium electric elements reduce the chance of element burnout and provide longer service life than conventional elements
- Immersed elements allow maximum recovery efficiency and direct, 98% efficient heat transfer
- Adjustable surface mounted thermostat provides years of reliable, trouble-free water temperature control
- Fully automatic high limit controls provide adequate temperature control and overheat protection - manual reset cutoff

### Certifications and Ratings Efficiency

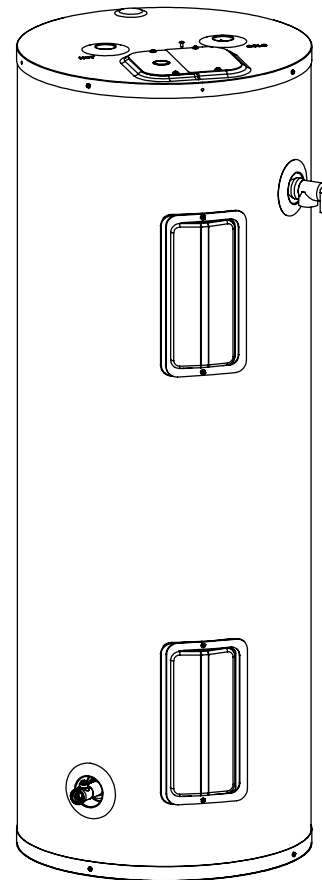
- Compliant with Law 114-11 - The Energy Efficiency Improvement Act of 2015
- ETL Design Certified to meet UL Standard 174 for Household Electric Water Heaters
- North Carolina code compliant models
- Lead Free compliant per the Safe Drinking Water Act, Section 1417
- Meets or exceeds ANSI requirements and tested according to DOE procedures
- Meets or exceeds the energy efficiency requirements of NAECA, ASHRAE Standard 90, ICE code, and all state energy performance criteria
- Exceeds energy efficiency codes of all states, including California Energy Commission (CEC)

### Additional Features

- Limited Lifetime Warranty if registered online - Extends coverage against inner tank leakage from the date of installation - One (1) year coverage on component parts
- Included ASME rated Temperature and Pressure Relief Valve
- Included Full Port Brass Drain Valve

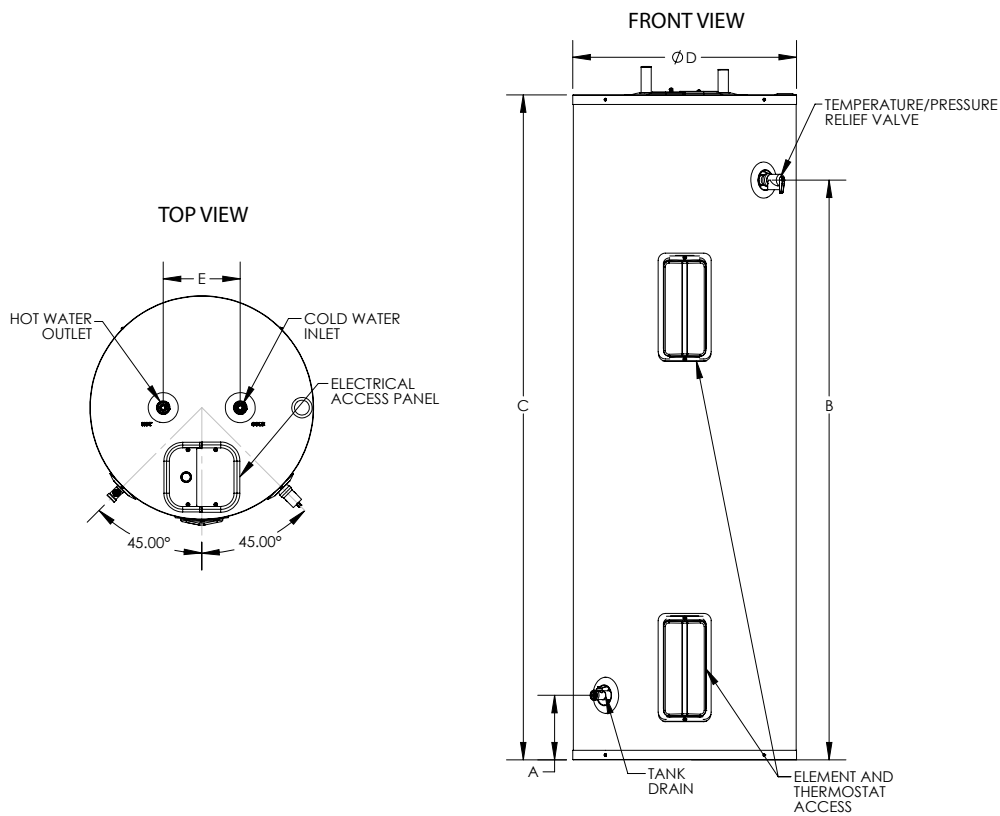
### Grid Enabled

- Ships with the lower heating element disabled as required by the Energy Efficiency Improvement Act of 2015 regulating grid-enabled water heaters. The element can only be enabled by a utility company or program operator
- A key is shipped with the water heater to enable the element



Input		Temperature Rises (deg. F)										
W	BTU	40	50	60	70	80	90	100	110	120	130	140
4500	15355	46	36	30	26	23	20	18	16	15	14	13
5500	18767	56	44	37	31	28	24	22	20	18	17	16

**NOTE:** HTP reserves the right to make product changes or updates without notice and will not be held liable for typographical errors in literature.



Specifications and Dimensions										Water Temperature Ratings			
Models	Storage Capacity	A	B	C	D	E	F	Safety Listing	Hot / Cold Inlets	Shipping Weight (Lbs. Est.)	Min. Delivered Temp.	Max. Delivered Temp.	High Temp. Limit
EVG080C2X045H	80	6 1/2"	69"	23 1/4"	60"	8"	27"	UL 174	3/4" NPT	155	110°F (43.3 C)	170°F (76.6 C)	190°F (87.8 C)
EVG100C2X045H	100	7 1/4"	61"	27"	52"		30 3/4"			210			
EVG115C2X045H	115		69"		60"		228						

**Table 1 - Specifications and Dimensions - \*\*\* Refers to Electrical Specifications - See Table 3 for Electrical Specifications**

Models	# Elements	Available Wattage	Voltage	Full Load Current in Amps (Single Phase)
C2X045H	2	4,500	240	19
C2X055H	2	5,500	240	23

**Table 2 - Electrical Specifications Including Corresponding Wattages / Voltages / Amperages - \*\*\*\* Refers to Model Type and Gallon Size - See Table 2 for Model Specifications and Dimensions**

### Typical Specifications

The water heater shall be an HTP, Inc. model # \_\_\_\_\_ with a \_\_\_\_\_ gallon storage capacity, an input of \_\_\_\_\_ kw (BTU), a recovery rate of \_\_\_\_\_ GPH at 100°F (56°C) temperature rise and be equipped for 240 volts, single phase, non-simultaneous operation.

The tank shall be constructed of 316L stainless steel, and have a working pressure of 150 PSI (1,034 kPa) and test pressure of 300 PSI. The water heater shall be design certified by ETL to meet the UL 174 for Household Electric Water Heater Standard, and meet or exceed the standby loss requirements of ASHRAE.

Dual element water heaters shall be supplied with 3/4" NPT brass inlet and outlet connections with built-in heat traps and a full port brass drain valve.

The water heater shall feature a mechanical disconnect and ships with the lower heating element disabled as required by the Energy Efficiency Improvement Act of 2015, which regulates grid-enabled water heaters. The element can only be enabled by a utility company or program operator. A key is shipped with the water heater to enable the element.

The water heater shall be equipped with adjustable surface mounted thermostats with manual reset high limit safety control, and an electric junction box located on the top of heater. All water heaters will be shipped with an ASME Rated temperature and pressure relief valve.

Water heaters shall be covered by a lifetime limited warranty against inner tank leakage when registered online with HTP, Inc. See product warranty for details.

The surfaces of these products contacted by consumable water contain less than 0.25% lead by weight, as required by the Safe Drinking Water Act, Section 1417.

Maximum unit dimensions shall be length \_\_\_\_\_ inches, width \_\_\_\_\_ inches and height \_\_\_\_\_ inches. Maximum unit weight shall be \_\_\_\_\_ pounds.