



HTP • 272 Duchaine Blvd, New Bedford, MA 02745 • www.htproducts.com

## Elite XL Stack Rack Kit - For 400 - 2000kBTU Boiler and VWH Models

<b>Job Name:</b>	<b>Location:</b>
<b>Engineer:</b>	<b>Wholesaler:</b>
<b>Mechanical Contractor:</b>	<b>Notes:</b>
<b>Model Number:</b>	

**Two Boiler Vertical Stack** for ELX boiler sizes of 400,000 - 2,000,000 BTUh

Quickly increase capacity from 800,000 - 4,000,000 BTUh

**Small footprint** - Assembled width of 31" and height of 88" for 400 - 1000 Model units means assembly will fit under low-ceilings

**Cascaded Systems offer up to 20 to 1 turndown**

**Easy to Assemble** - Includes all hardware for easy assembly

**Heavy Duty Steel Construction**

**Allows for Complete Servicing** - Boiler cabinet panels are readily accessible

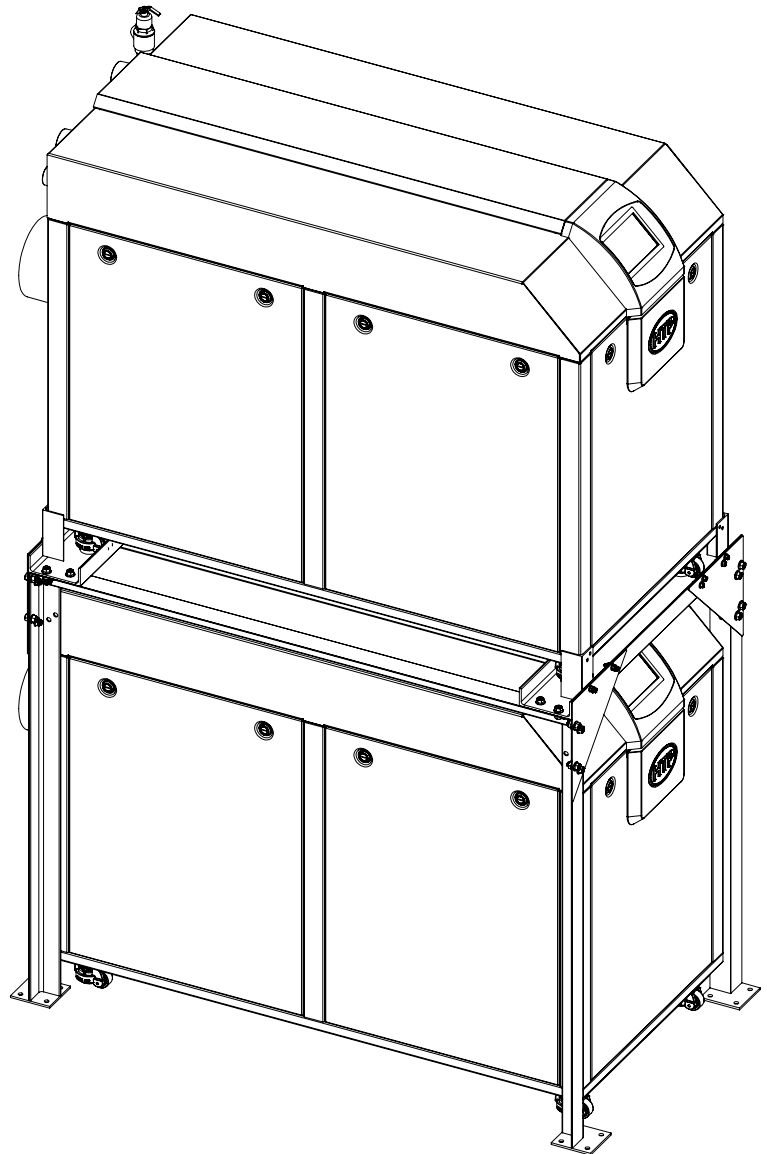
**Right Size Your Installation** - Don't over-size your installation. If a system requires 1300kBTUh, stack two more compact ELX-650 units instead of a larger footprint over-sized single unit

400 - 500kBTUh Stack Rack Part # 7550P-983

650 - 1000kBTUh Stack Rack Part # 7550P-984

1500 - 2000kBTUh Stack Rack Part # 7550P-981

**NOTE:** Kit includes Stack Rack Only. ELX Boiler or VWH models must be purchased separately.



**NOTE:** The manufacturer reserves the right to make product changes or updates without notice and will not be held liable for typographical errors in literature.

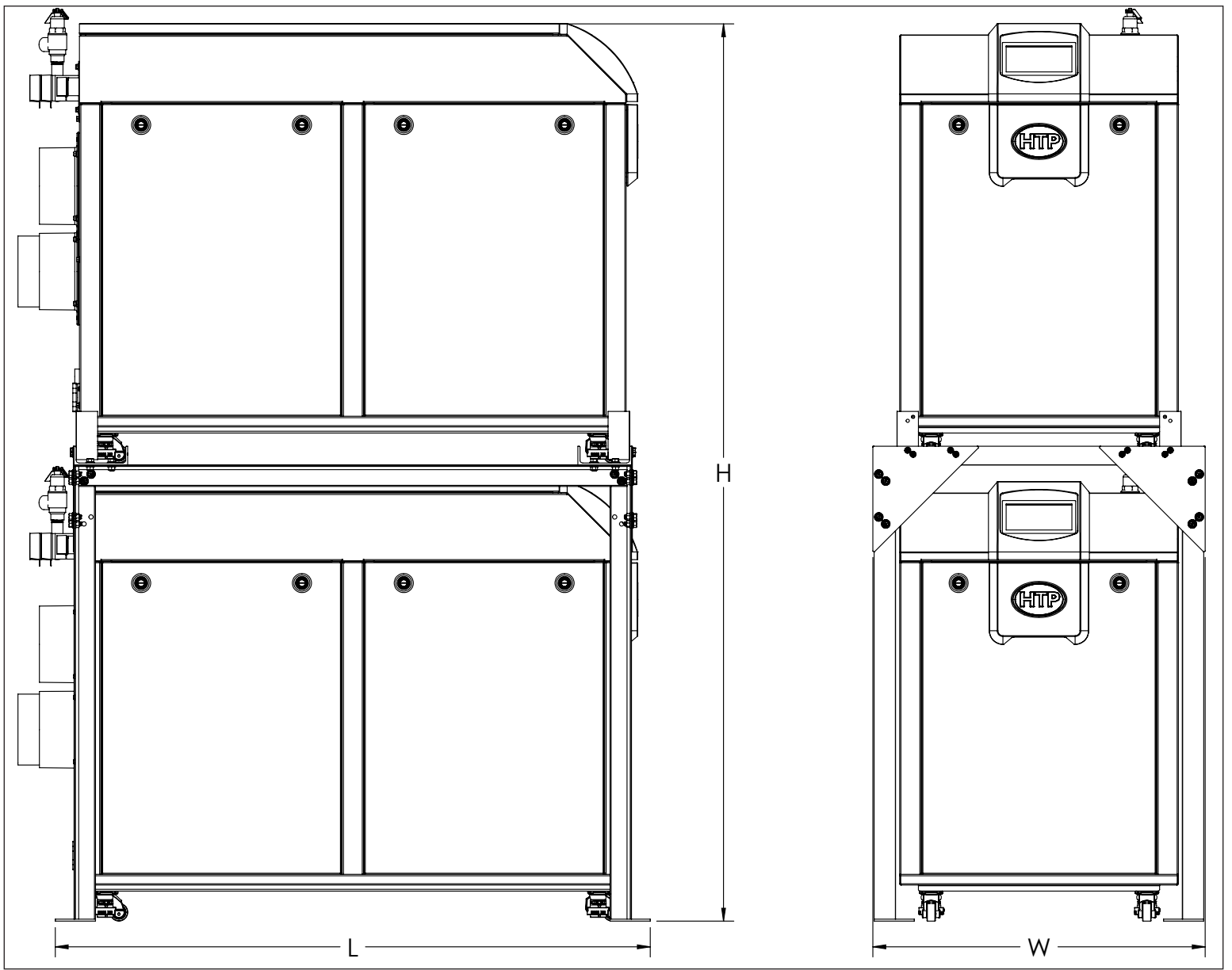


Figure 1 - Dimensional Drawing

Model	Length	Width	Height
ELX-400 - 500	39.5"	31"	84"
ELX650 - 1000	55.5"		
ELX1500 - 2000	75"	40"	124"

Table 1 - Dimensions