

EliteXL[®]

STACK RACK KIT - FOR BOILER AND VWH MODELS



HTP's Stack Rack Kit is designed to get the most out of our ELX Boiler and VWH models. When space is at a minimum and heating demands are at a maximum, our Stack Rack kit allows two boilers to be installed in the footprint of a single boiler - doubling BTU_h capacity while offering the increased efficiency and operational redundancy of a cascaded system.

Two Boiler Vertical Stack for ELX boiler sizes of 400,000 - 2,000,000 BTU_h

Quickly increase capacity from 800,000 - 4,000,000 BTU_h

Small footprint - Assembled width of 31" and height of 88" for all models means assembly will fit under low-ceilings

Cascaded Systems offer up to 20 to 1 turndown

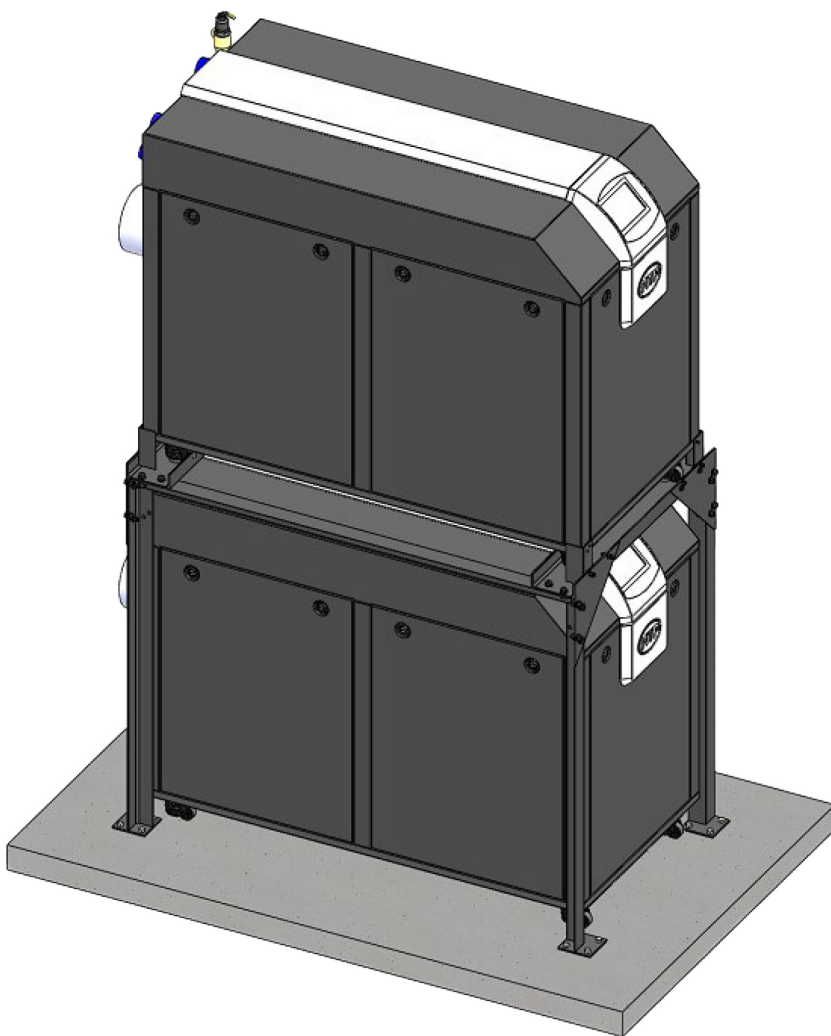
Easy to Assemble - Includes all hardware for easy assembly

Heavy Duty Steel Construction

Allows for Complete Servicing - Boiler cabinet panels are readily accessible

Right Size Your Installation - Don't over-size your installation. If a system requires 1300kBTU_h, stack two more compact ELX-650 units instead of a larger footprint oversized single unit

NOTE: Kit includes Stack Rack Only. ELX Boiler or VWH models must be purchased separately.



400 - 500kBTU_h Stack Rack Part # 7550P-983
650 - 1000kBTU_h Stack Rack Part # 7550P-984
1500 - 2000kBTU_h Stack Rack Part # 7550P-981

www.htproducts.com • 272 Duchaine Blvd, New Bedford, MA • © Ariston Thermo USA LLC. 09/18/2020 • MKTLIT-101

A BRAND OF  **ARISTON**
THERMO USA